

Part number:

HYDROMA

HYDRAULICKÉ SYSTÉMY

**HIDROMA
SYSTEMS**

UKŁADY HYDRAULICZNE

HYDROMA

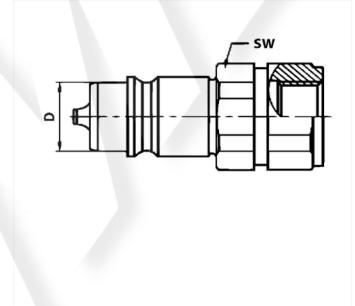
ГИДРАВЛИЧЕСКИЕ СИСТЕМЫ

SKS HL / SKS HS

Plug-in coupling connector

Properties

Application area	General application, e.g. in industry, construction machinery, agricultural technology etc.
Connection 1	metric cylindrical outer thread
Sealing form 1	24° inner cone
Standard	complies with ISO 7241 A series
Material	Steel
Surface	electro galvanised



Note

nominal width 10, size 3 also available in ED version

Description

Plug-in couplings allow quick coupling.

Ordering information

Other pressure and temperature figures available on request.

Item	Identification	DN*	Series	Size	Connecting thread	Operating pressure (bar)	for external pipe Ø (mm)	Mineral oil temp. min. (°C)	Mineral oil temp. max. (°C)	SF coup.*
	SKS 04 HL 2	4	L	2	M 12x1,5	250.0	6	-30	100	4
	SKS 06 HL 2	6	L	2	M 14x1,5	250.0	8	-30	100	4
	SKS 06 HL 3	6	L	3	M 14x1,5	225.0	8	-30	100	4
	SKS 08 HL 2	8	L	2	M 16x1,5	250.0	10	-30	100	4
	SKS 08 HL 3	8	L	3	M 16x1,5	225.0	10	-30	100	4
	SKS 10 HL 3	10	L	3	M 18x1,5	225.0	12	-30	100	4
	SKS 10 HL 3 ED	10	L	3	M 18x1,5	225.0	12	-30	100	4
	SKS 10 HL 4	10	L	4	M 18x1,5	225.0	12	-30	100	4
	SKS 13 HL 3	12	L	3	M 22x1,5	225.0	15	-30	100	4
	SKS 13 HL 4	12	L	4	M 22x1,5	225.0	15	-30	100	4
	SKS 16 HL 3	16	L	3	M 26x1,5	225.0	18	-30	100	4
	SKS 16 HL 4	16	L	4	M 26x1,5	225.0	18	-30	100	4
	SKS 16 HL 5	16	L	5	M 26x1,5	225.0	18	-30	100	4
	SKS 20 HL 4	19	L	4	M 30x2	225.0	22	-30	100	4
	SKS 20 HL 5	19	L	5	M 30x2	225.0	22	-30	100	4
	SKS 25 HL 5	25	L	5	M 36x2	225.0	28	-30	100	4
	SKS 04 HS 2	4	S	2	M 16x1,5	250.0	8	-30	100	4
	SKS 06 HS 1	6	S	1	M 18x1,5	300.0	10	-25	100	4
	SKS 06 HS 2	6	S	2	M 18x1,5	250.0	10	-30	100	4
	SKS 06 HS 3	6	S	3	M 18x1,5	225.0	10	-30	100	4
	SKS 08 HS 2	8	S	2	M 20x1,5	250.0	12	-30	100	4
	SKS 08 HS 3	8	S	3	M 20x1,5	225.0	12	-30	100	4
	SKS 10 HS 3	10	S	3	M 22x1,5	225.0	14	-30	100	4
	SKS 10 HS 4	10	S	4	M 22x1,5	225.0	14	-30	100	4
	SKS 13 HS 3	12	S	3	M 24x1,5	225.0	16	-30	100	4
	SKS 13 HS 4	12	S	4	M 24x1,5	225.0	16	-30	100	4
	SKS 16 HS 3	16	S	3	M 30x2	225.0	20	-25	100	4
	SKS 16 HS 4	16	S	4	M 30x2	225.0	20	-30	100	4
	SKS 16 HS 5	16	S	5	M 30x2	225.0	20	-30	100	4
	SKS 20 HS 5	19	S	5	M 36x2	225.0	25	-30	100	4
	SKS 25 HS 5	25	S	5	M 42x2	225.0	30	-30	100	4

DN = Nominal diameter, nominal width
SF gek. = Safety factor coupled